

## NVR SHADOW NETWORK VIDEO RECORDER WITH INTERNAL RAID



8-Bay Unit



24-Bay Unit

- Robust professional server configured with ViconNet Video Management Software (VMS)
- Utilizes a dedicated RAID controller card offering RAID 5 or RAID 6 configuration
- Scalable from one to hundreds of recorders
- Support for HD video
- Support for third-party network cameras
- Embedded Windows® operating system for enhanced security and reliability
- M-JPEG, MPEG-4 and H.264 compression
- High-capacity internal storage
- Hot-swappable HDD
- Multi-language application
- Advanced video authentication
- Integration with third-party management software using software development kit (SDK)

The Vicon NVR Shadow is a high-capacity Network Video Recorder that enables you to simultaneously capture, view and store high-quality, high resolution voice, video and data for a comprehensive security solution. It provides scalable, internal RAID 5 or 6 storage for medium and large-scale installations. The NVR Shadow helps security organizations reduce system ownership costs, streamline operations and deliver more effective security.

### Built for Reliability, Usability, and Low Cost of Ownership

Proven in daily operation in thousands of customer installations worldwide, Vicon® NVRs feature an embedded operating system designed for enhanced security and superior reliability. The ViconNet® software that powers the NVR Shadow, provides an open platform that allows integration with IP cameras, including megapixel cameras, encoders and IP edge devices from numerous, industry-leading manufacturers. The internal RAID 5 or 6 storage provides abundant capacity and the assurance that your data will always be secure and protected. The removable drive configuration (8-bay or 24-bay) makes it easy to hot-swap drives without having to remove the unit from the rack.

### Powerful VMS Software

ViconNet Video Management System software provides outstanding functionality and an intuitive interface for administrators, security managers and system operators anywhere on the network. Multi-site users, in particular, benefit from the efficiency of enterprise management options.

### Scalability

The NVR Shadow provides scalable, internal RAID 5 or 6 storage for medium and large-scale installations. The system is designed to scale to thousands of cameras with additional NVRs, Collector® DVRs or any of the ViconNet VMS products.

## NVR

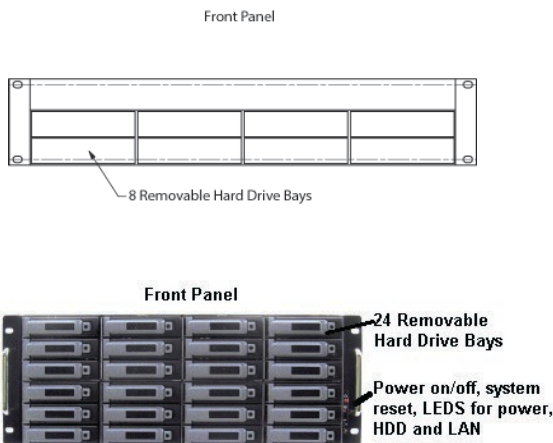
Operating System:	Microsoft® Windows® 7 Embedded.
CPU:	Intel® Xeon® E3 processor; Intel server board; LSI MegaRAID.
Memory:	4 GB total.
Ports:	USBs (2 front, 4 rear), Monitor (DVI; adaptors provided), RJ-45. Serial (COM) connection is required, a USB to Serial converter is needed, VRS232-USB-CD.
Graphics:	Integrated Intel HD graphics.
Storage (Usable):	Internal RAID 5: 6.5, 13, 17, 38 or 57 TB; Internal RAID 6: 5.7, 11, 14, 34 or 51 TB depending upon model (38,57/34,51 TB are 24-bay models). Note that Vicon certifies DVR and NVR drives on a continual basis, therefore capacities will change frequently.
Network Interface:	100/1000 Base T Ethernet interface on main board.
Certifications:	FCC Class A.

## Electrical

Input Voltage:	105-240 ±10% VAC, 50/60 Hz.
Current:	8-Bay: 1.5 A @ 115 VAC; 0.75 A @ 230 VAC. 24-Bay: 8.8 A @ 115 VAC; 4.4 A @ 230 VAC.
Power Consumption:	8-Bay: 178 W nominal. 24-Bay: 1010 W nominal. Includes a redundant power supply.
Heat Output:	8-Bay: 623 btu/hour. 24-Bay: 3535 btu/hour.
Power Connector:	Standard 3-conductor female socket.

Note: Vicon requires the use of uninterruptible power supply systems (UPS) to prevent voltage fluctuations that can affect operation and cause damage to the equipment. Failure to comply voids the warranty.

## Controls and Connectors



## Mechanical

Application:	Indoor.
Mounting:	Standard 19 in. (483 mm) rack mount and stackable. 8-Bay: 2 RU height; 24-Bay: 4 RU height.
Dimensions:	8-Bay: 3.5" (89 mm) H x 19" (483 mm) W x 29" (737 mm) D, including ears; 24-Bay: 7 in. (176 mm) H, 28" (711 mm) D.
Weight:	8-Bay: 46.3 lb (21 kg); 24-Bay: 64.0 lb (29 kg).
Construction:	Steel case and plastic.

## Environmental

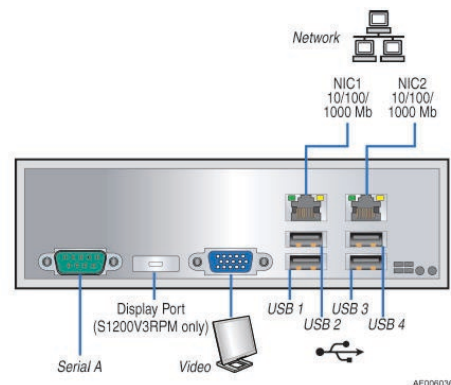
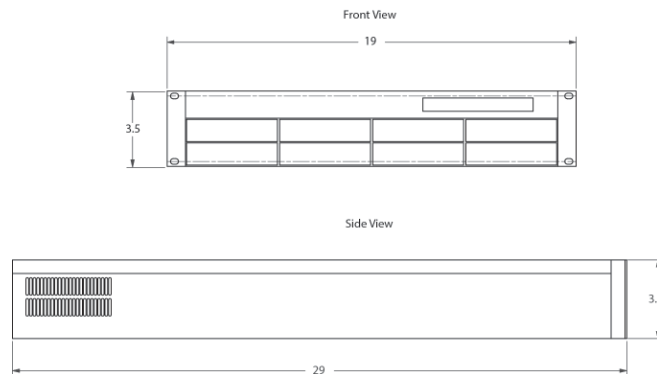
Operating Temperature:	32° to 104°F (0° to 40°C).
Humidity:	Up to 95% relative, non-condensing.

## Warranty

3 years parts and labor.

## Dimensional Data

8-bay unit shown; 24-bay unit is 7 in in height.



Note that mother boards are subject to change and the current rear panel may differ slightly but will be similar.

Data Sheet Number: V221-02  
Dated: 6/2014

Vicon Data Sheet Part Number: 8009-7221-02-00  
Specifications subject to change without notice.

Vicon, Collector, and ViconNet and their logos are registered trademarks of Vicon Industries Inc. Intel and Xeon are trademarks or registered trademarks of Intel Corporation. Microsoft and Windows are registered trademarks of Microsoft Corporation. Copyright © 2014 Vicon Industries Inc. All rights reserved.

All models are rack-mount Network Video Recorders preloaded with ViconNet Version 7 software with internal RAID 5 or 6 storage.

## Models

	Usable Storage	Model Number
Intel Xeon E3 Processor	6.5 TB RAID 5	VPK-6.5TBXV7-R5
	13 TB RAID 5	VPK-13TBXV7-R5
	17 TB RAID 5	VPK-17TBXV7-R5
	38 TB RAID 5	VPK-38TBXV7-R5
	57 TB RAID 5	VPK-57TBXV7-R5
	5.7 TB RAID 6	VPK-5.7TBXV7-R6
	11 TB RAID 6	VPK-11TBXV7-R6
	14 TB RAID 6	VPK-14TBXV7-R6
	34 TB RAID 6	VPK-34TBXV7-R6
	51 TB RAID 6	VPK-51XTBV7-R6

## Options and Accessories

	Description	Model Number
	Network Control Keypad. Used to control ViconNet digital video management systems, including Virtual Matrix Display Controller (VMDC) over an IP network or serial connection.	V1500X-SCCS-1